

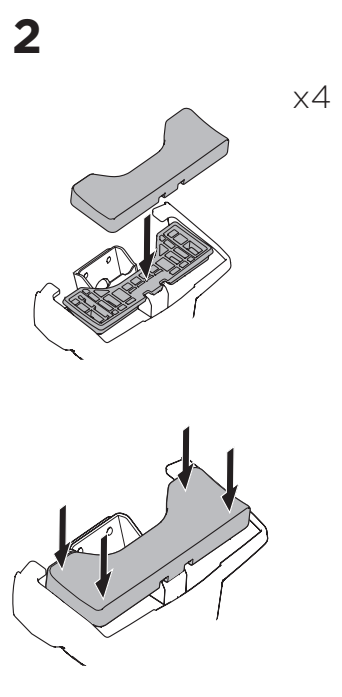
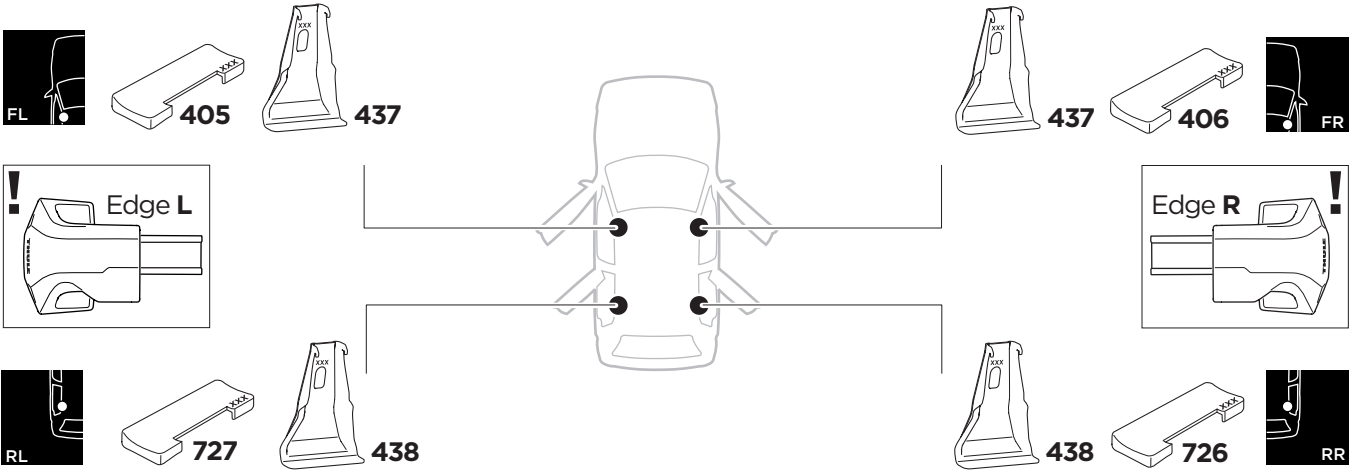
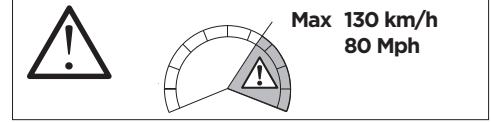
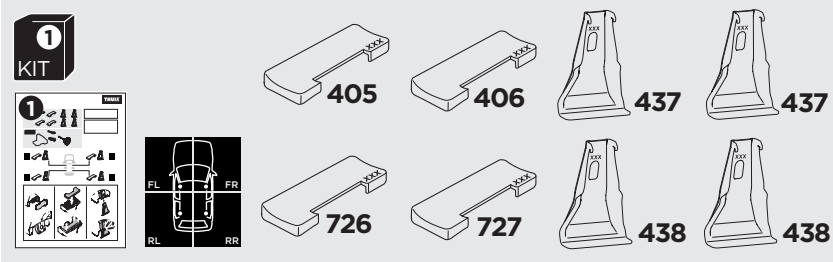
1

Kit 145244

NISSAN Note III, 5-dr Hatchback, 21-

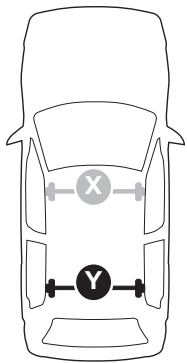


ISO 11154-E





THULE WingBar Evo	THULE WingBar Edge	THULE WingBar	THULE SquareBar Evo	Evo X (scale)	Edge X (scale)
NISSAN Note III, 5-dr Hatchback, 21-				35,5	N/A
THULE ProBar Evo	THULE SlideBar Evo				X (mm/inch)
NISSAN Note III, 5-dr Hatchback, 21-				1006 mm / 39 5/8"	



THULE WingBar Evo	THULE WingBar Edge	THULE WingBar	THULE SquareBar Evo	Evo Y (scale)	Edge Y (scale)
NISSAN Note III, 5-dr Hatchback, 21-				24	N/A
THULE ProBar Evo	THULE SlideBar Evo				Y (mm/inch)
NISSAN Note III, 5-dr Hatchback, 21-				891 mm / 35 1/8"	

	W (mm/inch)	Z (mm/inch)
NISSAN Note III, 5-dr Hatchback, 21-	700 mm / 27 1/2"	255 mm / 10"

